

**Mobile Slim**

**Pedestal**

**Shop QUINT™**



# Mobile Slim Pedestal

The spacious main compartment of this storage piece provides flexibility for storing files and large items while the interior drawer provides a cache for small items. The compact unit fits under standard height worksurfaces and rests upon casters for easy mobility.



Adaptable



Customizable



Professional Grade

## Product Details

- ✓ Durable laminate construction available in a variety of finishes.
- ✓ Single drawer located inside the ped provides convenient and accessible storage for small items.
- ✓ Hinged front door with modern ledge pull.
- ✓ Ships fully assembled.
- ✓ This Professional Grade item is manufactured to meet the demands of commercial and residential use.
- ✓ Assembled in the USA.



[SHOPQUINT.COM/SLIMPED](https://shopquint.com/slimped)

Visit [ShopQuint.com](https://shopquint.com)  
to view product information and  
assembly instructions online.

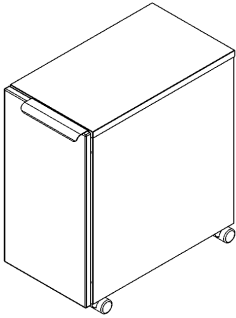
# Installation Instructions

---

## Components

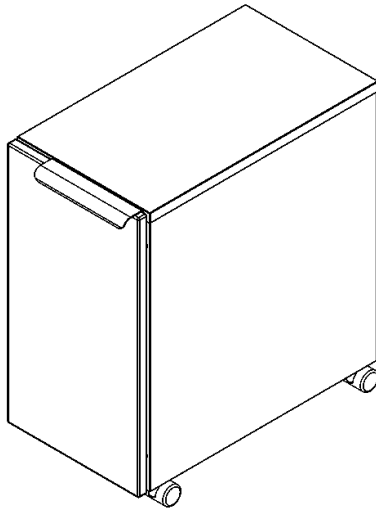
1. Mobile Slim Pedestal

**1**



## Step 1

Product ships fully assembled.







# Thank you for your purchase!

## Key Attributes of the Quint™ Product Line:

---



### **Tool Free Assembly**

Quick-connect features make assembly simple and quick.



### **Professional Grade**

Work furnishings are high quality and durable.



### **Customizable**

Workstations are easily personalized with a variety of finishes and accessories.



### **Adaptable**

Individual elements can function in a variety of work settings.

# QUINT™

**Essential furniture for  
where your work happens.**

Professional grade desks, chairs, storage,  
and accessories; empowering you to work  
your best through purposeful design.

**SHOPQUINT.COM**



@ShopQuint



@ShopQuint



@Shop\_Quint