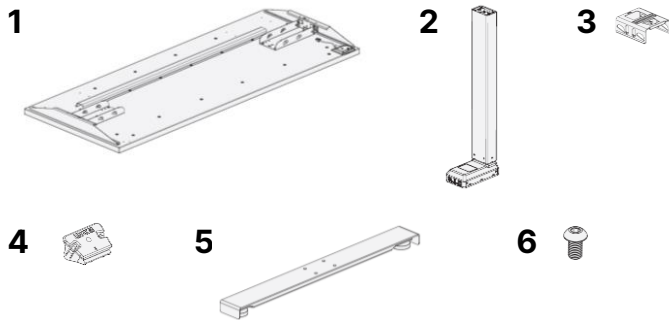


Height Adjustable Desk

Installation Instructions

Components

1. Work Surface Assembly
2. Leg Assembly (x2)
3. Holding Bracket (x2)
4. Snap Lock (x2)
5. Foot (x2)
6. Pan Head Bolt (x8)



Tools Included

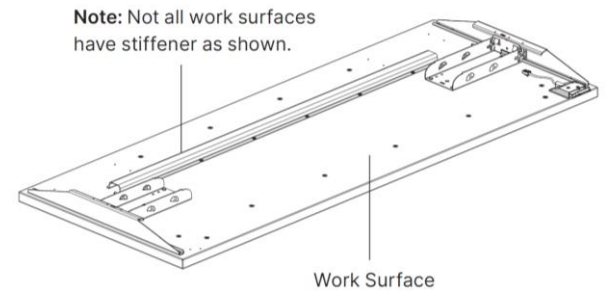


Allen Key

Step 1

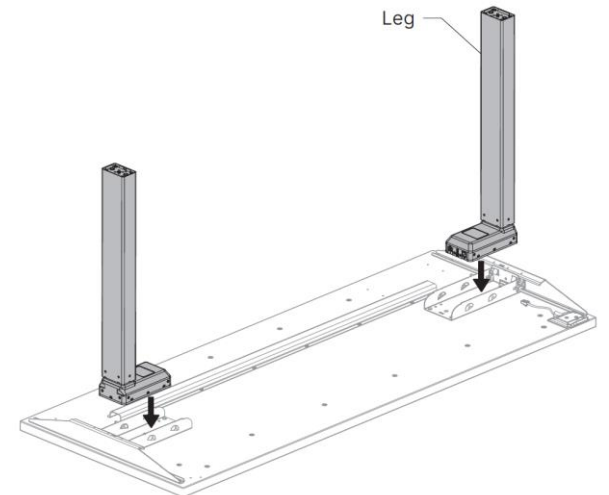
Position work surface top down on a clean, flat surface.

Note: We recommend working on top of a cloth or the cardboard box to avoid scratching the work surface during assembly.



Step 2.1

Position the legs onto the work surface brackets.

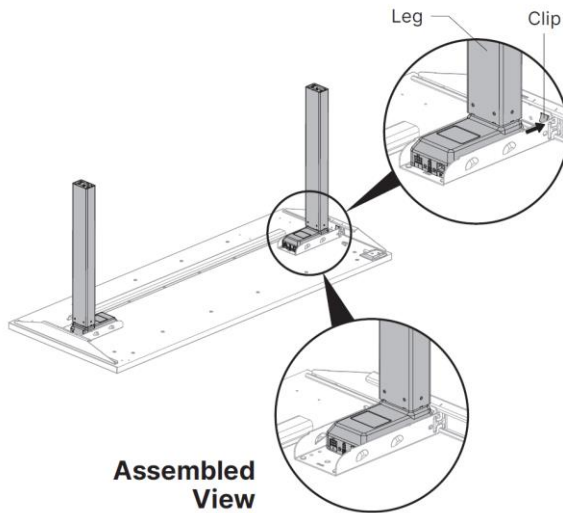


Height Adjustable Desk

Installation Instructions

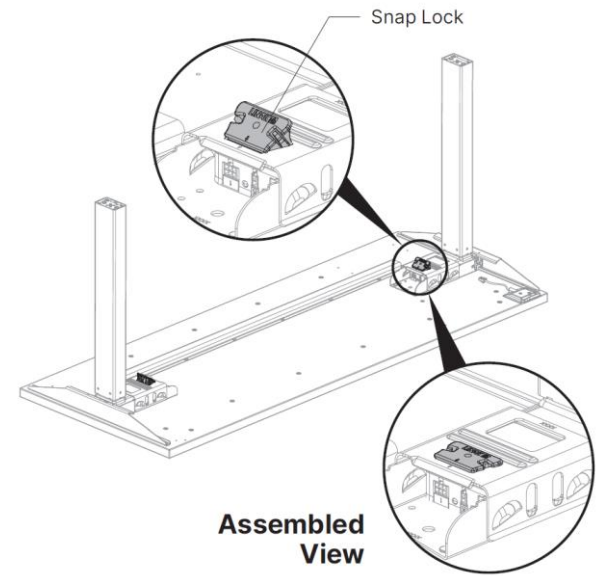
Step 2.2

Slide the legs into the work surface brackets until they catch the clips identified in the image.



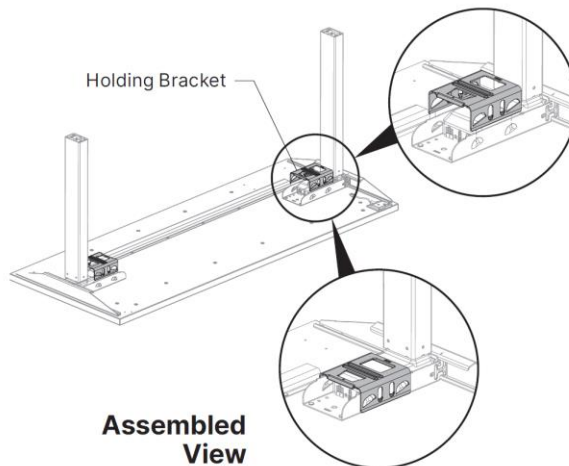
Step 4

Insert the snap locks into the slots in the holding brackets. Press down firmly on the snap locks using the heel of your shoe to fix the leg assemblies onto the work surface assembly.



Step 3

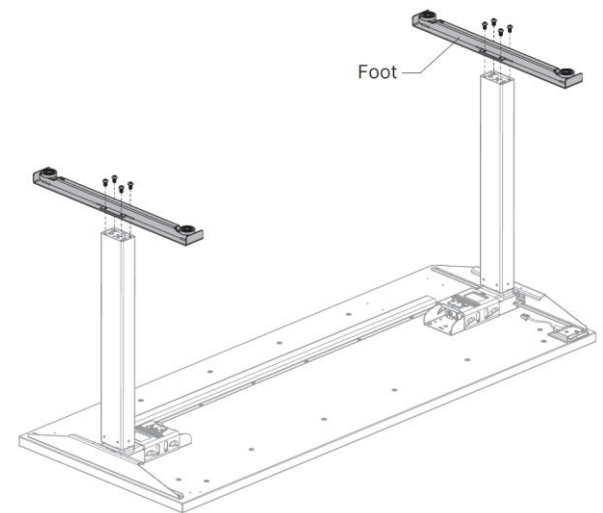
Place the holding brackets on the leg assemblies by aligning them as seen in the image. Press the holding brackets down to lock into position.



Step 5.1

Install the feet onto the legs using the pan head bolts and the Allen key provided.

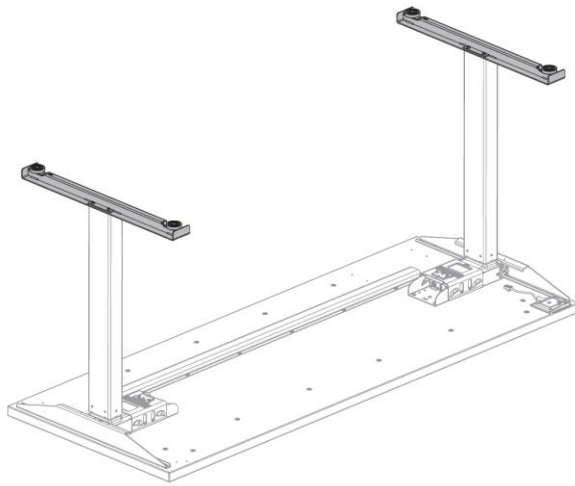
Note: Feet can also be assembled to the legs before the legs are installed onto the work surface.



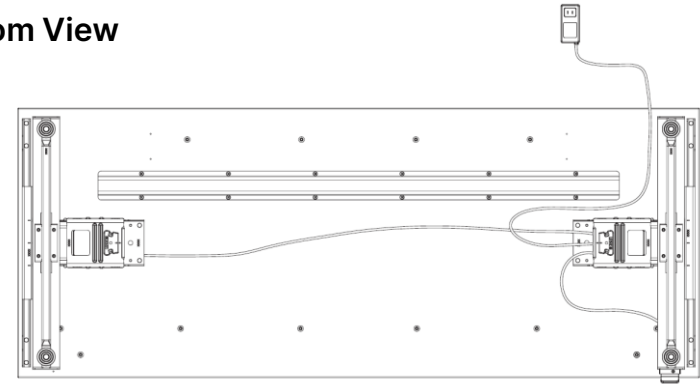
Height Adjustable Desk Installation Instructions

Step 5.2

Tighten all bolts.

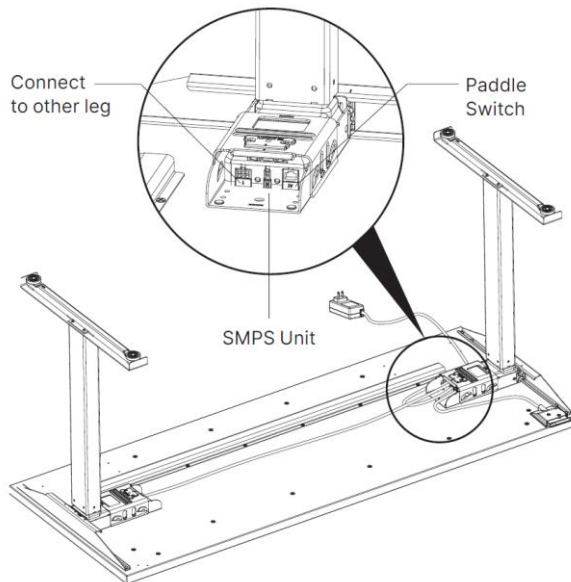


Bottom View



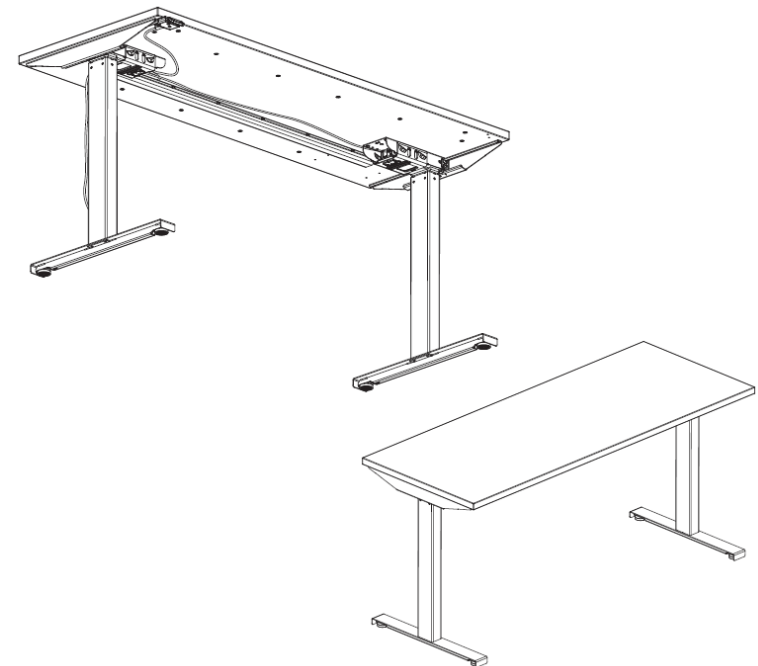
Step 6

Connect the cables as shown in the image.



Assembled View (Wider Desks)

Wider desks will have a stiffener.



Height Adjustable Desk

Installation Instructions

Assembled View (Narrower Desks)

Narrower desks will not have a stiffener.

