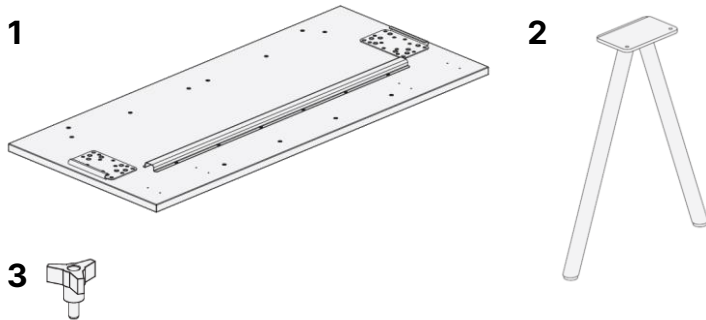


A-Leg Fixed Height Desk

Installation Instructions

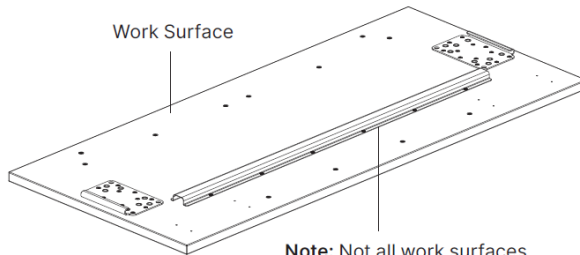
Components

1. Work Surface Assembly
2. Leg Assembly (x2)
3. Thumbscrews (x4)



Step 1

Position work surface top down on a clean, flat surface.

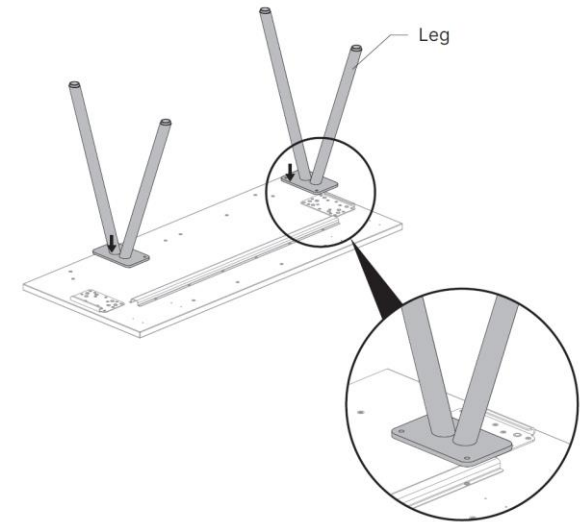


Note: We recommend working on top of a cloth or the cardboard box to avoid scratching the work surface during assembly.

Note: Not all work surfaces have a stiffener as shown.

Step 2.1

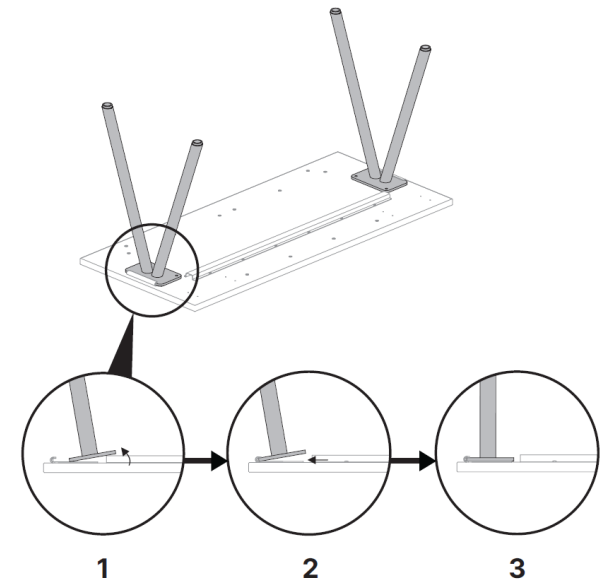
Position the legs by tipping each leg assembly to the outside of the work surface, so the edge of the top plate enters under the lip of the mounting bracket.



Note: Refer to images 1-3 in step 2.2

Step 2.2

See images 1-3 for leg installation steps.

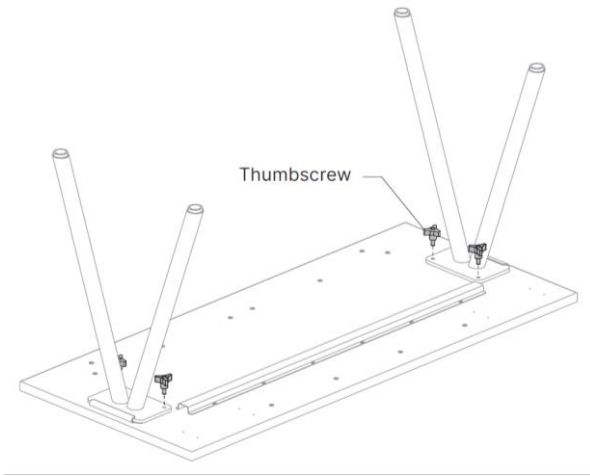


A-Leg Fixed Height Desk

Installation Instructions

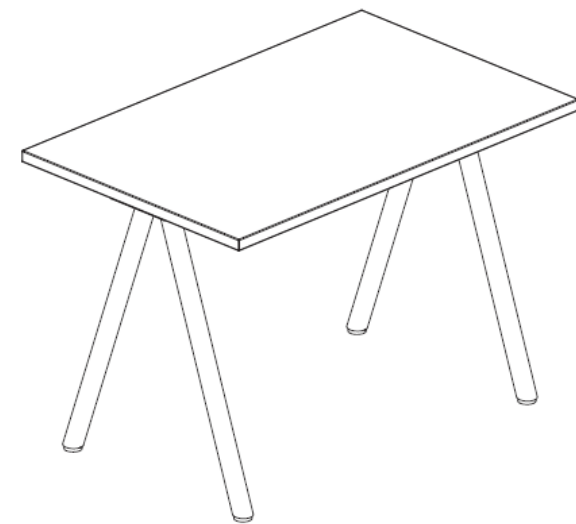
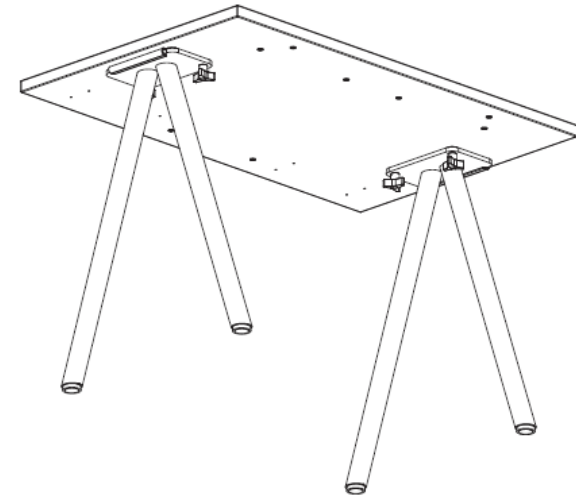
Step 3

Secure the leg assemblies to the mounting brackets with thumbscrews. Make sure that the thumbscrews are seated tightly against the plate.



Assembled View (Narrower Desks)

Narrower desks will not have a stiffener.



A-Leg Fixed Height Desk

Installation Instructions

Assembled View (Wider Desks)

Wider desks will have a stiffener.

